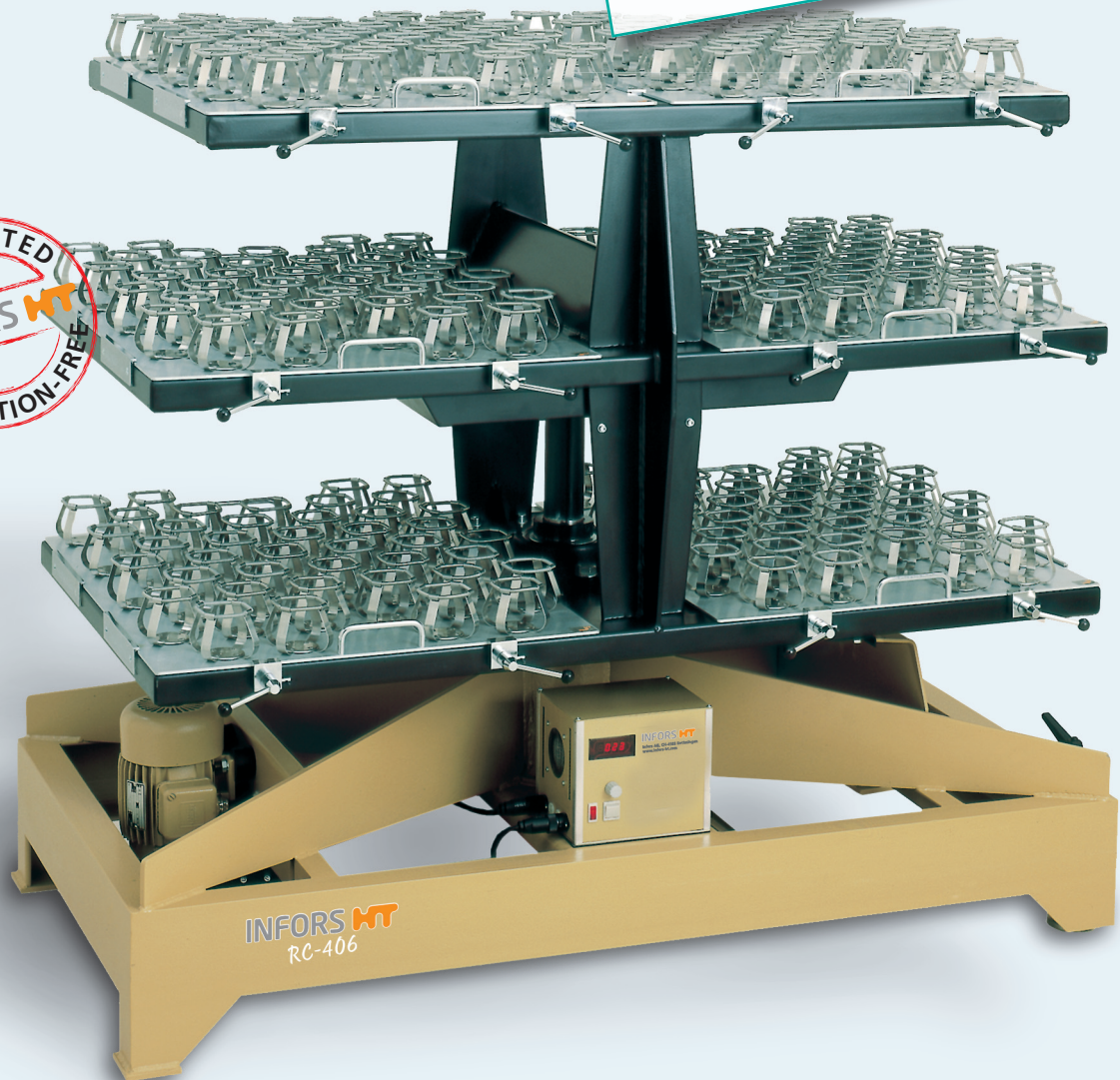
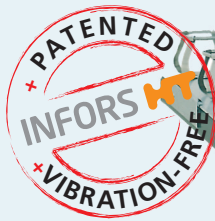


RC-406

Highest loading capacity and optimal possibilities for locating

- ▶ Stable at high speed
- ▶ High capacity
- ▶ Single shaft design
- ▶ Flexible controller positioning



www.infors-ht.com

May be subject to technical amendments

INFORS HT

Ideal rotary shakers for very large capacities

► Stable at high speeds

The RC406 uses „dynamic counterbalancing“ to ensure stable, vibration-free operation even at high speed.

► High Capacity

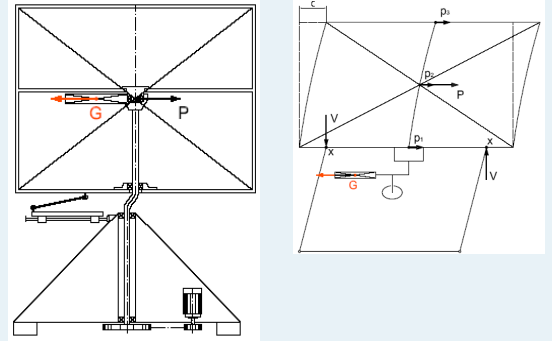
With 6 large platforms over 3 decks, the RC406 is the ultimate in high-capacity shaking for large-scale applications.

► Single-shaft design

Makes the unit very compact while ensuring accessibility and sites the counter-weight at the centre of gravity for added stability.

► Flexible controller positioning

The control unit can be mounted at the RC406 or remotely for added security eg outside the constant temperature room.



Loading Capacity

	Size of flask	Quantity
6 Tables of Type ATC 800 x 660 mm can be provided as Universal with holes for different sizes of flask clamp and holders, fixed with clamps of just one size or with adhesive matting.	50	174 x 6
	100	113x 6
	250	62x 6
	500	41x 6
	1000	24x 6
	2000	16x 6
	5000	8x 6

Technical Data

Shaker Speed	20–400 RPM
Throw	ø 50 mm
Accuracy	± 1% of maximum speed
Weight without table	approx. 470 kg
Dimensions W x D x H	159 x 916 x 136 cm
Power supply	115/230V ± 10%, 50/60Hz

Infors AG
Headoffice, Switzerland

Rittergasse 27
CH-4103 Bottmingen
T +41 (0)61 425 77 00
F +41 (0)61 425 77 01
headoffice@infors-ht.com

Infors GmbH

Dachauer Str. 6
D-85254 Einsbach
T +49 (0)8135/83 33
F +49 (0)8135/83 20
infors.de@infors-ht.com

Infors UK Ltd

The Courtyard Business
Centre, Dovers Farm
Lonesome Lane, Reigate
Surrey, UK-RH2 7QT
T +44 (0)1737 22 31 00
F +44 (0)1737 24 72 13
infors.uk@infors-ht.com

Infors Sarl

6, rue Marcel Paul
FR-91742 Massy Cedex
T +33 (0)169 30 95 04
F +33 (0)169 30 95 05
infors.fr@infors-ht.com

Infors Benelux BV

Logistiekweg 20-02
7007 CJ Doetinchem
P.O. Box 613
NL-7000 AP Doetinchem
T + 31(0)314-36 44 50
F + 31(0)314-37 80 76
infors.bnl@infors-ht.com

For more information please visit:
www.infors-ht.com